

Liebert® GXT4™ UPS, 5kVA-10kVA
Intelligent, Reliable UPS Protection



Liebert® GXT4™ UPS, 5kVA-10kVA Systems: Best Protection for Critical Network Applications

Today's converged networks require increased availability and reliability. IT professionals require higher density power protection systems that adapt to mixed load voltages and plug types, while remaining easy to install and maintain.

The Emerson Solution

The Liebert GXT4 UPS meets the need for higher power capacities in small spaces. This true on-line double conversion UPS system is available in larger capacity models of 5kVA – 10kVA, and features integrated maintenance bypass, as well as optional extended battery runtime. Plus, Liebert Services provides an optional Power Assurance Package for life-cycle support for your UPS, including installation, start-up, and on-site service.

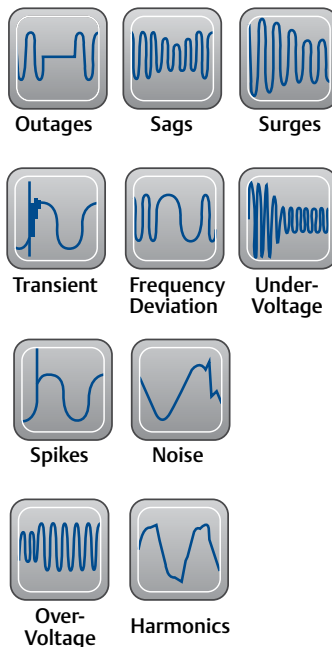
The Liebert GXT4 UPS is designed for use in either rack or tower configurations.

220V, 230V and 240V 50/60 Hz models are offered with CE and C-tick markings.

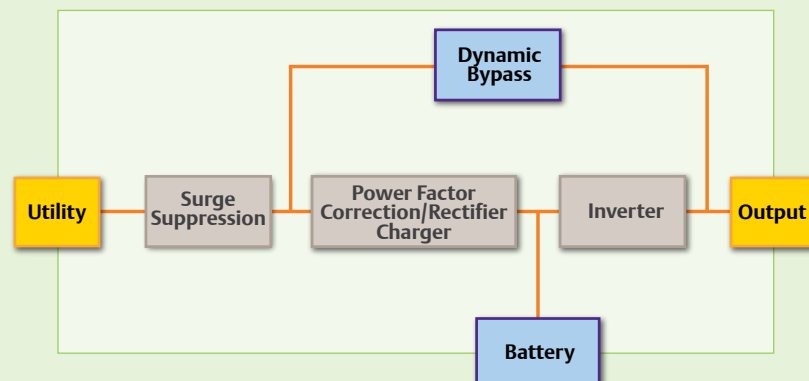
Dual Voltages For Multiple Applications

Output voltages of 240/120, 208/120, 230/115, 220/110, or 200/100 VAC provide the flexibility to adapt to multiple load requirements without the need to add additional transformers that take up extra space and add weight. Input power factor correction to 0.99 reduces current harmonics and their heating effects.

The Protection You Need



■ On Line, Double Conversion UPS For Best in Protection



Liebert® GXT4™ UPS includes these outstanding features:

Flexibility:

- **Rack/tower configuration.** The versatile unit installs in either configuration, and includes a rotating color LCD display.
- **Automatic frequency detection.** Detects and matches line input frequencies of either 60 or 50 Hz and can also be programmed to convert from one to the other.
- **Replaceable hot-swappable internal batteries.** Provide 5-8 minutes of runtime at full load depending on the model.
- **Additional runtime with additional battery cabinets.** UPS cabinet includes rear panel plug-and-play connections for optional battery cabinets. Cabinet sizes: 5/6 kVA 208/120V - 2U, 6 kVA 208V and 8-10 kVA 208/120V - 4U.
- **Optional Unity communications card with environmental sensors** (Options for temperature, humidity, leak detection, door open status and more).
- **Liebert IntelliSlot™ communications port.** Provide SNMP and web-based monitoring and control of your UPS.
- **Includes Windows-based configuration program.** Allows various operating parameters to be adjusted and tests to be scheduled.
- **Built-in USB communications for use with Liebert MultiLink™ Automated Shutdown Software.** Allows you to monitor communication between the UPS and a server, and ensures a graceful unattended shutdown.
- **Built-in closure signals.** Provides notification to monitoring systems of operating conditions.
- **Emergency Power Off (EPO).** Terminal connections to integrate into your Emergency Power Off (EPO) system.

Higher Availability:

- **Wider input voltage window minimizes battery use.** Features a wide input voltage window that allows the UPS to support the critical load without having to transfer to battery, extending battery life for when it is truly needed.
- **Internal automatic and manual bypass.** Assures continuity of power to critical loads during system maintenance or in case of internal fault.
- **Self-diagnostics.** Automatically tests unit electronics and batteries. Designed to simplify maintenance and troubleshooting.

Lowest Total Cost Of Ownership:

- **Selectable Eco-Mode** - Connected equipment can be powered through the bypass while the inverter remains at idle, reducing electricity consumption.
- **Standard two-year advanced replacement warranty.** No-hassle warranty provides paid shipping both ways. Optional one-year and three year extensions available.
- **Battery cutoff voltage** Automatically adjusts based on load, extending battery life by preventing over-discharge of batteries.
- **ENERGY STAR® qualified UPS models** UPS products meeting the EPA's requirements use an average of 35% less energy than their standard counterparts.



Communications For Power Monitoring And Control

The Unity communications card has been enhanced with direct sensor support.



- Up to 10 Liebert sensors can be wired in series and can report a discrete SNMP trap when their status changes.
- Any SNMP monitoring and notification software, such as Liebert Nform can be used to monitor a change in state of these sensors.
- Monitor temperature, humidity, door open status, leak detection and more

The Liebert GXT4 UPS is also fully compatible with:

- Liebert MultiLink™ Automated System Shutdown Software
- Liebert Nform™ Monitoring Software
- Liebert Universal Monitor And Remote Power Monitor Panels
- Liebert SiteScan®
- Trellis™ Platform
- Third-Party Monitoring Systems



Optional Unity communications card provides SNMP and web based management as well as connection for optional environmental sensors

5 and 6kVA Models Offer True On-Line Power In A Convenient Rack Configuration

Liebert® GXT4™ UPS 5 and 6kVA models are true on-line UPS systems that provide internal batteries and dual output voltage. They are an ideal fit for applications where the power requirements are demanding such as network closets or small equipment racks.

Adaptable Design

For installation flexibility, the Liebert GXT4 UPS 5 and 6kVA models allow you to choose from several different wiring configurations made possible by the use of removable power distribution boxes (PODs) that simply plug into the rear of the UPS. The standard box provides terminal blocks for hardwired input and output connections. An optional hardwire version that includes a maintenance bypass is also available.

When the ease of plug-and-play power connections is desired, optional versions of the power distribution box convert Liebert GXT4 UPS 5 and 6kVA units to a cord-type input with receptacles for output distribution, and also offers maintenance bypass capability that allows hot-swapping of the entire UPS without interruption of power to the connected load.

The UPS has an adaptable dual inverter design, capable of providing output voltages of 240/120, 208/120, 230/115, 220/110, or 200/100 and an output power factor of 0.8.



5 and 6 kVA Model shown in rack mount position



6 kVA Model shown in tower orientation

8kVA and 10kVA Models Provide Even More Power

The Liebert® GXT4™ UPS 8 and 10kVA units offer a flexible solution for protecting rack-mount equipment, including VoIP and PoE.

Specifically designed for use with the new generation of high power switches, these compact UPS systems pack 8kVA (7.2kW) or 10kVA (9kW) of power into a 6U rack/tower package with flexible output voltage and optional output distribution. The UPS includes built-in, replaceable batteries for up to 5-8 minutes of runtime at full load depending on model.

Adaptable Design

The UPS has a dual inverter design, capable of providing 5 output voltages of 240/120, 208/120, 230/115, 220/110, or 200/100 and an output power factor of 0.9. The 6U size is the smallest for 208/120 selectable voltage in the 8-10kVA model range.

The unit features integrated internal automatic and manual maintenance bypass, power module, battery modules, and optional plug-and-play distribution plates.

The standard 8 and 10kVA models include terminal blocks for hardwired connections of both input and output. Optional power distribution modules (PODs) are available to add output receptacles to the rear panel of the unit.

Hot-Swappable Operation

Liebert GXT4 UPS 8 and 10kVA units feature three bays for one power module and two battery modules. The chassis contains a bypass switch that allows all modules to be removed without powering down the connected load.



UPS is hardwire input/output with maintenance bypass and includes no POD standard.



Optional PODs available



8-10 kVA Models

Total Care and Support for Critical Systems

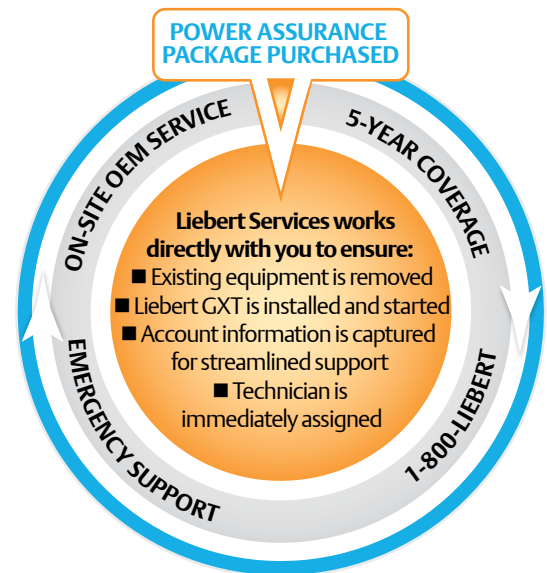


Power Assurance Package: Comprehensive On-site Services – A Partner To Assure Uptime

- **Five-year protection plan:** with 100% parts coverage and 7x24 emergency service.
- **On-site installation and start-up:** Installation and start-up of UPS and internal batteries (excludes hard-wired applications), configuration of new UPS and accessories, and, if purchased, safe removal and disposal of old UPS and batteries.
- **On-Site service support:** 7x24 support (within 150 miles of regional service center) and 100 percent labor and travel coverage.
- **100% parts coverage:** For internal batteries, POD (Power Output Distribution) and web card.
- **7x24 Access** to customer resolution center and on-line access to Customer Services Network.
- **Preventative Maintenance** in third to fifth year for 5-10kVA models only.

Key Benefits:

- **Pain-free multi-site rollout management**
- **Frees up time-strapped IT staff** by managing and tracking UPS health, maintenance and service.
- **Reduces the worry** of critical equipment downtime.
- **Ensures rapid recovery** in the event of failure within 24-48 hours.
- **Frees you** from the responsibility of handling and documenting the disposal of hazardous materials, like batteries.



Product Specifications

Liebert GXT4 UPS specifications—5, 6, 8 and 10 kVA models

Model Number	GXT4-5000RT208	GXT4-6000RT208	GXT4-8000RT208	GXT4-10000RT208	GXT4-6000RTL630
Model Rating	4000W/5000VA	4800W/6000VA	7200W/8000VA	9000W/10000VA	4200W/6000VA
Dimensions, Rack Mount, W x D x H Unit in. (mm)	16.9 x 26.1 x 6.8 (430 x 662 x 173)		16.9 x 26.5 x 10.3 (430 x 672 x 261)		16.9 x 22.6 x 8.5 (430 x 574 x 217)
Weight Unit, lb (kg)	131.8 (69.9)		212.7 (96.7)		132.2 (60)

Input AC Parameters

Nominal Operating Frequency	50 or 60Hz (Factory Default is 60Hz)	50 or 60Hz (Factory Default, 60)
Factory Default VAC	120/208VAC at 120 degrees	208VAC
Factory Default L1-N, L2-N VAC	120 VAC nominal	-
Input Frequency w/o Battery Operation	40 - 70 Hz	40 - 70Hz
Input Power Connection	Hardwire Terminal Block 3W + G (L-L-N-G)	L6-30P Plug (on PD-L630 power distribution box)
L1-N, L2-N Maximum Allowable VAC	150VAC	-

Output AC Parameters

Factory Default VAC	120/208VAC @ 120 degrees	208
Factory Default L1-N, L2-N VAC	120VAC nominal	-
User Configurable L1-N, L2-N VAC	100/110/115/120/VAC, ±2%	-

Overload Rating

105% to 130%	1 Minute
131% to 150%	10 seconds
151% to 200%	1 second
>200% (impact load)	At least 5 cycles

Environmental

Operating Temp, °F (°C)	32 to 104 (0 to 40)	32 to 104 (0 to 40)
Storage Temp, °F (°C)	5 to 122 (-15 to 50)	
Audible Noise	Less than 55dBA at 3.2ft. (1m) rear; less than 50dBA at 3.2ft. (1m) front and sides	
Operating Elevation	Up to 10,000 ft. (3000m) at 77°F (25°C) without derating	
Relative Humidity	0% to 95%, non-condensing	

Agency

Safety	UL 1778, c-UL Listed	
RFI/EMI	FCC Class A	
Surge Immunity	IEEE/ANSI C62.41 Category A & B	EN61000-4-5
Transportation	ISTA Procedure 1E	
ENERGY STAR® qualified	YES	

Replacement internal battery part numbers

Model Number	GXT4-144VBATKIT	GXT4-240VBATKIT	GXT4-288VBATKIT
Used with UPS Model	GXT4-5000RT208 GXT4-6000RT208	GXT4-6000RTL630	GXT4-8000RT208 GXT4-10000RT208
Dimensions, W x D x H, Unit in (mm)	8.1 x 19.3 x 2.8 (206 x 490 x 70)	7.2 x 15.4 x 4.4 (184 x 390 x 113)	8.1 x 19.7 x 5.3 (207 x 500 x 135)
Weight, Unit lb (kg)	75.8 (34.4)	45.4 (20.6)	71.1 (32.3)

Battery Parameters

Type	Valve-regulated, non-spillable, flame retardant, lead acid		
Kit Quantity x Battery Quantity x V x Rating	2 x 6 x 12V x 9.0 AH	2 x 10 x 12V x 5.0AH	2 x 12 x 12V x 9.0 AH
Recharge Time	3 hours to 90% capacity after full discharge into 100% load		

External battery cabinet specifications

Model Number	GXT4-144VBATT	GXT4-240VBATT	GXT4-288VBATT
Used w/UPS Model	GXT4-5000 & GXT4-6000RT208	GXT4-6000RTL630	GXT4-8000 & GXT4-10000RT208
Dimensions, W x D x H, Unit (with bezel) in. (mm)	16.9 x 26.1 x 3.3 (430 x 662 x 85)	16.9 x 22.6 x 6.8 (430 x 574 x 173)	16.9 x 26.5 x 6.8 (430 x 672 x 173)
Weight, Unit lb (kg)	99.9 (45.3)	143.3 (65)	167.6 (76.2)

Battery Parameters

Type	Valve-regulated, non-spillable, lead acid		
Kit Quantity x Battery Quantity x Rating	2 x 6 x 12V x 9.0 AH	2 x 10 x 12V x 9.0 AH	2 x 12 x 12V x 9.0 AH
Environmental	Operating Temp, Storage Temp, Operating Elevation, and Relative Humidity: Same as UPS		

Power distribution box specifications: GXT4-5000RT208, GXT4-6000RT208 and GXT4-6000RTL630 *

Power Distribution Box Model Number	PD2-HDWR -MBS	PD2-001	PD2-002	PD2-003	PD2-004	PD2-005	PD2-006	PD2-007	PD2-L630*
Dimensions, W x D x H, Unit in (mm)	5.2x15.5x3.5 (132x393x88)								4.7x13.2x4.1 (119x335x105)
Weight, lb (kg)	8.2 (3.7)	11 (5)	10.8 (4.9)	10.8 (4.9)	12.1 (5.5)	12.8 (5.8)	11.7 (5.3)	11.7 (5.3)	8.8 (4)

Electrical Specifications

Amp Rating	30A 2-pole input breaker for UPS input power								
Input Power Connections	Hardwired	L14-30P							(1) L6-30P on a 10.5 foot (3.2m) cord
Output Power Connection	Hardwired	(1)L6-30R, (1)L14-30R, (4) 5-15/20R T-slot	(2)L6-20R (2)5-15/20R T-slot	(2)L6-30R (4)5-15/20R T-slot	(4) L5-20R (2) L5-30R	(4) L5-20R (2) L6-30R	(4) L6-20R	(2) L6-20R (2) L5-20R	(2) L6-20R (2) L6-30R

* PD2-L630 is only compatible with the GXT4-6000RTL630 UPS model

Power distribution box specifications for GXT4-8000RT208 and GXT4-10000RT208

Power Distribution Box Model Number	PD2-101	PD2-102	PD2-103	PD2-104	PD2-105	PD2-106
Dimensions, W x H, Unit in. (mm)	7.4 x 5.7 (188 x 145)					
Weight, Unit lb (kg)	4.4 (2)	6.6 (3)	6.6 (3)	6.6 (3)	4.4 (2)	6.6 (3)

Electrical Specifications

Amp Rating	63 Amps					
Input Power Connections	Custom Connector 3W + G(L-L-N-G) to UPS					
Output Power Connection	(2) L6-30R (8) 5-15/20R T-slot	(4) L6-20R (4) 5-15/20R T-slot	(4) 5-15/20R T-slot (4) L6-30R	(4) 5-15/20R T-slot (2) L6-30R (2) L6-20R	(4) 5-15/20R T-slot (2) L5-30R (2) L5-20R	(4) L6-20R (4) L5-20R

Power distribution box specifications for GXT4-8000RT208 and GXT4-10000RT208

Power Distribution Box Model Number	PD2-107	PD2-108	PD2-109	PD2-200	PD2-201	PD2-202	PD2-204
Dimensions, W x H, Unit in. (mm)	7.4 x 5.7 (188 x 145)						
Weight, Unit lb (kg)	6.6 (3)			4.4 (2)		12 (5.4)	

Electrical Specifications

Amp Rating	63 Amps						
Input Power Connections	Custom Connector 3W + G(L-L-N-G) to UPS						
Output Power Connection	(4) L5-20R (4) 5-15/20R T-slot	(2) L6-20R (2) L6-30R	(2) L14-30R	(4) IEC320-C19 (4) IEC320-C13	(2) IEC320-C19 (8) IEC320-C13	(12) IEC320-C13	(2) IEC309-32A (4) IEC320-C13

Emerson Network Power

Global Headquarters

1050 Dearborn Drive
P.O. Box 29186
Columbus, Ohio 43229
800 877 9222 Phone (U.S. & Canada Only)
614 888 0246 Phone (Outside U.S.)
Contact@EmersonNetworkPower.com

**Emerson Network Power
Caribbean and Latin America**

Office – United States of America
+1-954-984-3452 Phone
Ask.Cala@Emerson.com

Emerson Network Power Canada

3580 Laird Rd Unit 1
Mississauga
Ontario L5L 5Z7
+1 905 569 8282
Ask@EmersonNetworkPower.com

liebert.com

24 x 7 Tech Support

800 222 5877 Phone
614 841 6755 (outside U.S.)

EmersonNetworkPower.com

While every precaution has been taken to ensure accuracy and completeness in this literature, Liebert Corporation assumes no responsibility, and disclaims all liability for damages resulting from use of this information or for any errors or omissions. © 2015 Liebert Corporation. All rights reserved throughout the world. Specifications subject to change without notice. All names referred to are trademarks or registered trademarks of their respective owners. ® Liebert is a registered trademark of the Liebert Corporation.

Emerson Network Power and the Emerson Network Power logo are trademarks and service marks of Emerson Electric Co. ©2015 Emerson Electric Co.

SL-23196 (R03/15) Printed in USA